



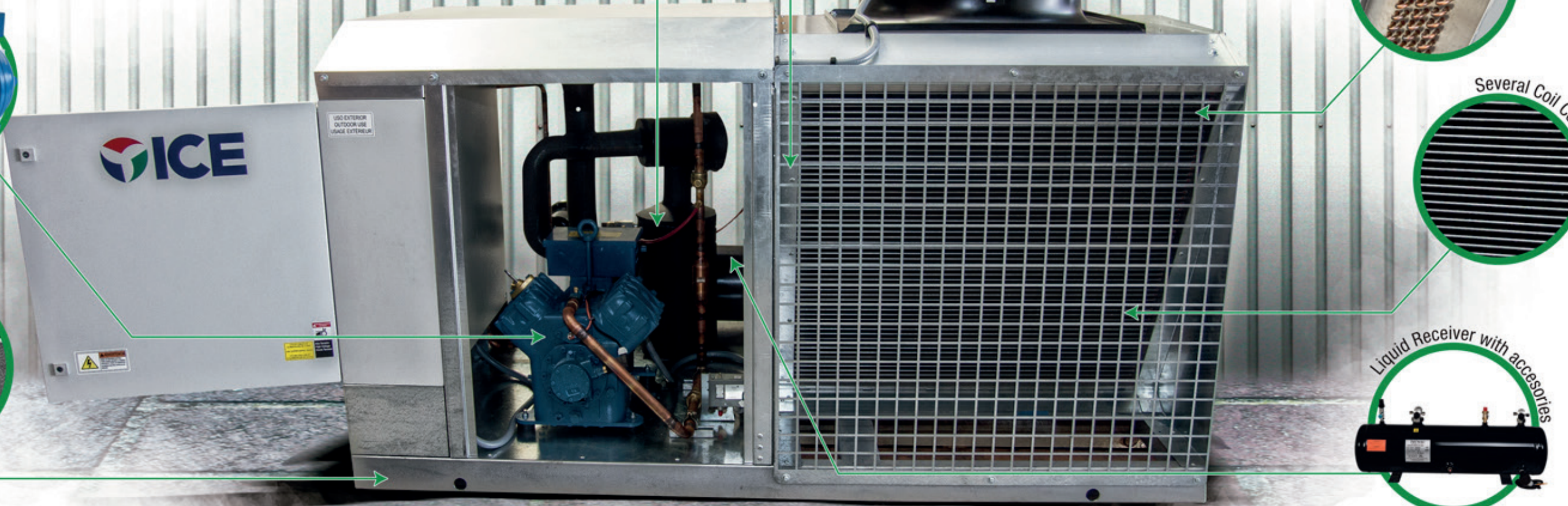
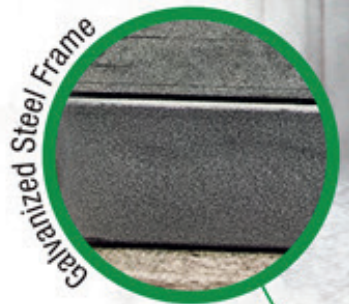
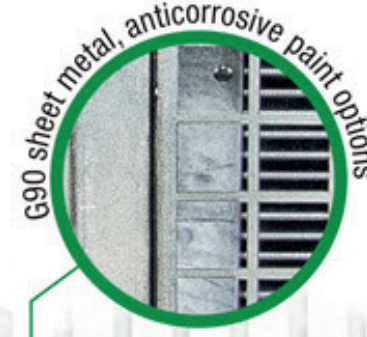
AIR COOLED SEMI HERMETIC **CONDENSING UNITS**



- › High Efficiency
- › High Capacity
- › High Reliability
- › High Flexibility
- › Low Noise
- › Low Vibration
- › Low Refrigerant Charge

HIGHLIGHTED FEATURES

We use components with the highest quality available in the industry:



SEMIHERMETIC COMPRESSORS

More than 80 years of success in Europe and the world.

The FRASCOLD semi hermetic compressor offers high efficiency and reliability.

Some of their main features are:

- > Diameter and piston stroke optimized for greater dynamic performance
- > Optimized piston geometry to ensure high performance during operation
- > Rings made of high strength alloy
- > Bearings with PTFE surfaces that reduce friction and loss of energy
- > Heat-treated crankshaft to harden it dynamically balanced for smooth, vibration-free rotation
- > High-Tech Valve Plates
- > Optimized lubrication system
- > Suction gas engine cooling system

All includes the option of Capacity Control and Unloaded Start up to maximize its energy efficiency.

- > Factory Electronic Protection INT Diagnose ®
- > State-of-the-art sensors in motor winding.
- > The compressors V and Z offer a temperature sensor in the discharge and differential pressure switch in the oil lubrication pump.
- > Get reports of the failures of your compressor.

Compressor Protection

S COMPRESSOR

V COMPRESSOR

Z COMPRESSOR



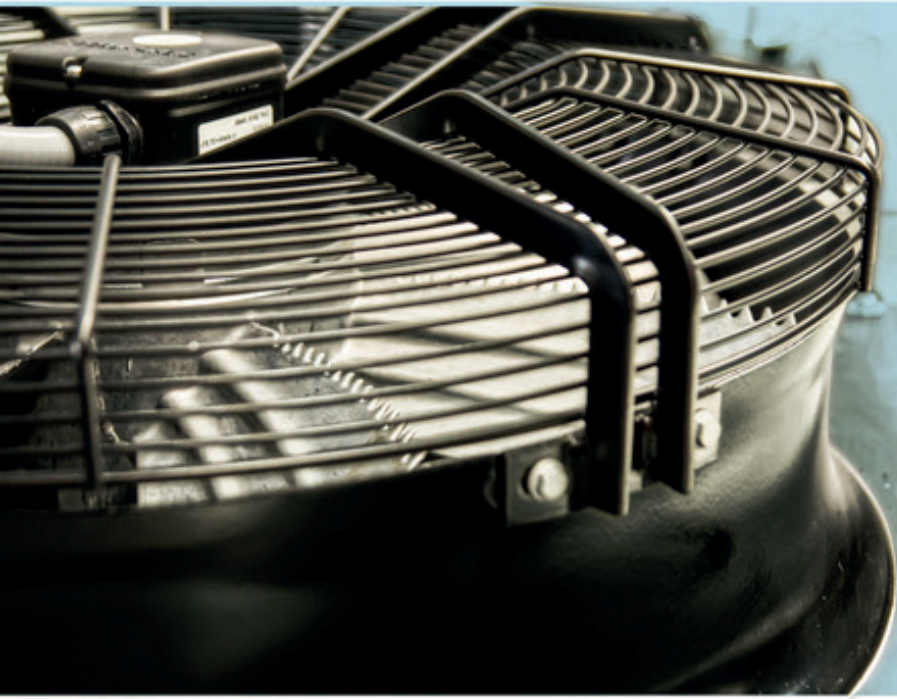
Differential Oil Pressure Monitor

Discharge Temperature Sensor

All Compressors are ASERCOM Certified!



Our ICE Condensing Unit requires less space to deliver the required capacity with optimal energy performance.



High Technology Air Movement

- > Fixed or Variable Speed options
- > High Efficiency and Reliability
- > Low Noise and Vibration



Floating Coil

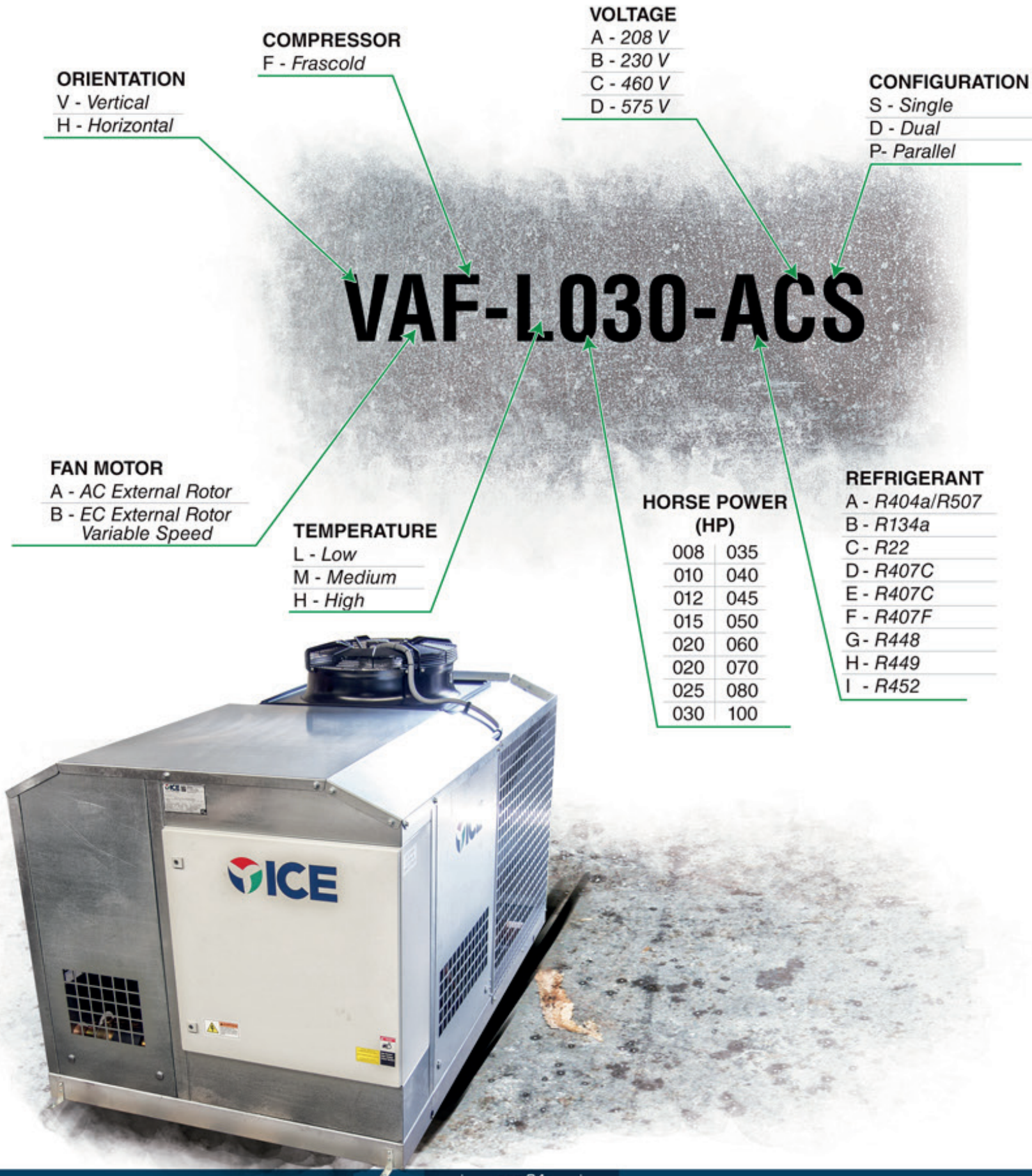
All our copper-aluminum coils have internal enhanced copper tubes, designed to increase turbulence and improve heat transfer.

Coil Options

- > 5mm or 5/16" enhanced copper tubes

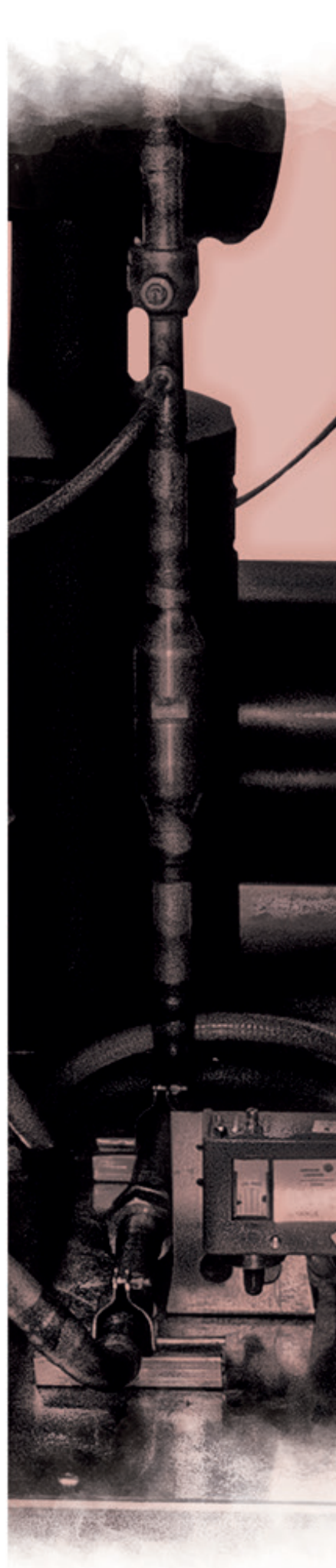
All our copper-aluminum coils have copper tubes with an internal striated design to increase turbulence and improve heat transfer

- > 3/8" steel tubes
- > Aluminum micro channel
- > Option for coated coils



Medium Temperature | Vertical Discharge Frascold Compressor | Refrigerant R404A/507

UNIT MODEL	HP	COMPRESSOR	Suction Temperature		Ambient Temperature					
			F°	C°	90°F / 32°C	95°F / 35°C	100°F / 38°C	110°F / 43°C	115°F / 46°C	
VAF-M008-ACS	8	S7-33Y	40	4.4	131,332	125,941	120,560			
			35	1.6	120,313	115,368	110,430	100,601	84,054	
			30	-1.1	109,944	105,424	100,906	91,904	76,686	
			25	-3.8	100,203	96,086	91,967	83,748	69,462	
			20	-6.6	91,070	87,330	83,586	76,103	63,439	
			15	-9.4	82,520	79,131	75,734	68,937	56,883	
			10	-12.2	74,527	71,461	68,385	62,218	51,107	
VAF-M012-ACS	12	S12-42Y	40	4.4	163,310	156,502	118,005	116,373	110,639	
			35	1.6	149,325	143,024	117,000	105,892	100,645	
			30	-1.1	136,476	130,339	105,933	96,079	91,128	
			25	-3.8	123,764	118,416	95,966	86,903	82,251	
			20	-6.6	112,076	106,956	86,598	78,113	73,982	
			15	-9.4	100,979	96,251	77,731	64,606	66,212	
			10	-12.2	90,576	86,271	64,698	62,474	59,006	
VAF-M015-ACS	15	S15-52Y	40	4.4	215,910	207,255	198,603	181,354	172,789	
			35	1.6	197,495	189,581	181,662	165,856	157,997	
			30	-1.1	180,220	173,006	165,784	151,350	144,162	
			25	-3.8	164,042	157,489	150,923	137,782	131,229	
			20	-6.6	148,919	142,982	137,028	125,098	119,140	
			15	-9.4	134,805	129,438	124,051	113,243	107,837	
			10	-12.2	121,647	116,804	111,938	102,158	97,258	
VAF-M020-ACS	20	S20-56Y	40	4.4	234,215	224,861	215,508	196,863	187,614	
			35	1.6	214,545	205,985	197,418	180,317	171,820	
			30	-1.1	196,052	188,244	180,423	164,793	157,014	
			25	-3.8	178,694	171,596	164,480	150,239	143,140	
			20	-6.6	162,433	155,998	149,541	136,600	130,141	
			15	-9.4	147,222	141,402	135,556	123,822	117,957	
			10	-12.2	133,015	127,758	122,472	111,846	106,527	
VAF-M022-ACS	22	V20-59Y	40	4.4	242,652	232,231	221,794	200,930	190,547	
			35	1.6	221,691	212,676	202,582	183,416	173,333	
			30	-1.1	201,762	192,858	183,931	166,059	157,146	
			25	-3.8	183,018	174,830	166,618	150,167	141,959	
			20	-6.6	165,383	157,879	150,351	135,266	127,737	
			15	-9.4	148,836	141,984	135,108	121,326	114,447	
			10	-12.2	133,357	127,120	120,860	108,317	102,057	
VAF-M025-ACS	25	V25-71Y	40	4.4	282,716	270,281	257,955	233,632		
			35	1.6	258,761	247,248	235,822	213,277	202,192	
			30	-1.1	236,039	225,415	214,869	194,051	183,806	
			25	-3.8	214,553	204,786	195,092	175,948	166,519	
			20	-6.6	194,289	185,348	176,470	158,936	150,297	
			15	-9.4	175,229	167,072	158,977	142,980	135,093	
			10	-12.2	157,366	149,956	142,600	128,068	120,904	
VAF-M030-ACS	30	V30-84Y	40	4.4	340,515	326,452	311,841	283,611	270,048	
			35	1.6	312,032	298,791	285,337	259,041	245,967	
			30	-1.1	284,900	272,482	260,272	236,006	223,998	
			25	-3.8	259,131	247,777	236,616	214,190	203,091	
			20	-6.6	235,072	224,615	214,336	193,805	183,589	
			15	-9.4	212,326	202,729	193,402	174,581	165,321	
			10	-12.2	190,988	182,123	173,600	156,691	148,243	
VAF-M035-ACS	35	Z35-106Y	40	4.4	429,531	410,577	391,555	354,478		
			35	1.6	393,317	375,727	358,269	323,842	306,945	
			30	-1.1	359,022	342,763	326,627	294,982	279,356	
			25	-3.8	326,781	311,813	296,963	267,844	253,621	
			20	-6.6	295,933	282,363	268,904	242,383	229,362	
			15	-9.4	267,250	254,866	242,722	218,553	206,696	
			10	-12.2	240,258	229,247	218,105	196,194	185,572	
VAF-M040-ACS	40	Z40-126Y	40	4.4	508,558	486,357	464,080	418,972	397,004	
			35	1.6	465,486	444,904	423,787	382,854	362,218	
			30	-1.1	424,639	405,634	386,344	348,312	329,447	
			25	-3.8	385,804	368,326	350,777	315,796	298,442	
			20	-6.6	349,183	333,349	317,454	285,604	269,549	
			15	-9.4	314,750	300,311	285,821	256,838	242,508	
			10	-12.2	282,416	269,367	256,250	230,209	217,129	
VAF-M050-ACS	50	Z50-154Y	40	4.4	624,479	597,796	571,617	518,647	492,567	
			35	1.6	571,723	547,222	522,641	473,947	449,413	
			30	-1.1	521,480	499,059	476,558	431,474	408,990	
			25	-3.8	474,215	453,323	432,800	391,223	370,705	
			20	-6.6	429,419	410,433	391,376	353,594	334,949	
			15	-9.4	387,287	369,911	352,656	318,275	301,223	
			10	-12.2	347,931	332,087	316,522	285,363	269,674	



Medium Temperature | Vertical Discharge – Hi Ambient Frascold Compressor | Refrigerant R404A /R507A

UNIT MODEL	HP	COMPRESSOR	Suction Temperature		Ambient Temperature					
			F°	C°	90°F / 32°C	95°F / 35°C	100°F / 38°C	110°F / 43°C	115°F / 46°C	
VAF-M008-ACS-H	8	S7-33Y	40	4.4	134,919	129,646	124,373	113,273		
			35	1.6	123,241	118,442	113,640	103,412	99,044	
			30	-1.1	112,356	108,002	103,641	94,438	90,249	
			25	-3.8	102,219	98,279	94,331	85,986	82,041	
			20	-6.6	92,786	89,229	85,265	77,716	74,372	
			15	-9.4	84,014	80,809	77,234	70,415	67,211	
			10	-12.2	75,860	72,655	69,755	63,277	60,523	
VAF-M012-ACS-H	12	S12-42Y	40	4.4	172,190	165,036	157,914	143,791	136,811	
			35	1.6	157,032	150,387	143,772	130,651	124,161	
			30	-1.1	142,736	136,585	130,460	118,309	112,298	
			25	-3.8	129,285	123,608	117,956	106,744	101,195	
			20	-6.6	116,658	111,436	106,238	95,929	90,827	
			15	-9.4	104,835	100,049	95,286	85,841	81,168	
			10	-12.2	93,797	89,425	85,076	76,456	72,193	
VAF-M015-ACS-H	15	S15-52Y	40	4.4	220,920	212,145	203,378	185,872	177,162	
			35	1.6	201,718	193,711	185,704	169,681	161,707	
			30	-1.1	183,771	176,485	169,195	154,589	147,295	
			25	-3.8	167,007	160,397	153,778	107,906	133,860	
			20	-6.6	151,387	145,404	139,408	127,365	121,347	
			15	-9.4	136,852	131,446	126,024	115,131	109,674	
			10	-12.2	123,331	118,462	113,574	103,718	98,783	
VAF-M020-ACS-H	20	S20-56Y	40	4.4	240,089	230,408	221,112	202,114	192,755	
			35	1.6	219,569	210,954	202,224	184,831	176,204	
			30	-1.1	200,249	192,360	184,443	168,568	160,724	
			25	-3.8	182,253	175,049	167,814	153,439	146,251	
			20	-6.6	165,369	158,875	152,347	139,292	132,789	
			15	-9.4	149,685	143,341	137,900	126,063	120,129	
			10	-12.2	135,015	129,761	124,414	113,746	108,335	
VAF-M022-ACS-H	22	V20-59Y	40	4.4	249,442	238,877	228,265	206,973	198,508	
			35	1.6	227,385	217,666	207,901	188,082	178,383	
			30	-1.1	206,692	197,684	188,629	170,437	161,334	
			25	-3.8	187,135	178,900	170,620	153,888	145,468	
			20	-6.6	168,870	161,364	153,656	138,401	130,722	
			15	-9.4	151,699	144,879	137,875	123,939	116,963	
			10	-12.2	135,744	129,435	123,155	110,468	104,085	
VAF-M025-ACS-H	25	V25-71Y	40	4.4	292,599	279,712	266,916	242,199	229,769	
			35	1.6	267,197	255,369	243,621	220,412	208,984	
			30	-1.1	243,102	232,282	221,535	199,948	189,595	
			25	-3.8	220,532	210,668	200,656	180,867	171,524	
			20	-6.6	199,426	190,270	181,174	163,381	154,415	
			15	-9.4	179,372	171,083	162,850	146,568	138,535	
			10	-12.2	160,817	153,259	145,830	130,984	123,734	
VAF-M030-ACS-H	30	V30-84Y	40	4.4	358,951	343,958	329,033	299,458	284,855	
			35	1.6	329,055	314,719	300,454	273,648	259,693	
			30	-1.1	298,286	285,505	272,786	247,583	235,135	
			25	-3.8	270,579	258,841	247,163	224,029	212,607	
			20	-6.6	244,570	233,829	223,147	201,999	191,560	
			15	-9.4	220,219	210,427	200,693	181,438	171,941	
			10	-12.2	197,483	188,590	179,754	162,296	153,693	
VAF-M035-ACS-H	35	Z35-106Y	40	4.4	445,701	426,147	406,724	368,356	349,476	
			35	1.6	408,733	389,872	376,980	341,815	323,547	
			30	-1.1	370,878	354,260	337,759	305,170	289,129	
			25	-3.8	336,606	321,382	306,270	276,438	261,757	
			20	-6.6	304,389	290,503	276,726	249,548	236,181	
			15	-9.4	274,195	261,588	249,088	224,452	212,345	
			10	-12.2	245,990	234,599	223,312	201,097	190,195	
VAF-M040-ACS-H	40	Z40-126Y	40	4.4	530,294	507,387	484,402	438,349	415,371	
			35	1.6	484,056	464,391	442,353	400,417	378,313	
			30	-1.1	440,201	420,789	401,302	362,231	342,723	
			25	-3.8	398,951	381,194	363,360	327,604	309,756	
			20	-6.6	360,183	344,002	327,757	295,196	278,947	
			15	-9.4	323,853	309,179	294,447	264,938	250,221	
			10	-12.2	289,915	276,666	263,374	236,775	223,530	
VAF-M050-ACS-H	50	Z50-154Y	40	4.4	650,473	623,453	596,347	542,043	514,950	

Low Temperature | Vertical Discharge
Frascold Compressor | Refrigerant R404A /R507A

UNIT MODEL	HP	COMPRESSOR	Suction Temperature		Ambient Temperature				
			F°	C°	90°F / 32°C	95°F / 35°C	100°F / 38°C	110°F / 43°C	115°F / 46°C
			VAF-L010-ACS	10	S10-52Y	0	-17.7	90,214	86,236
			-5	-20.5	80,940	77,713	74,463	67,520	63,886
			-10	-23.3	72,705	69,474	66,540	60,246	57,006
			-15	-26.1	63,968	61,346	58,399	52,682	49,798
			-20	-28.8	56,352	53,984	51,314	46,112	43,479
			-25	-31.6	49,631	47,482	45,054	40,298	37,841
			-30	-34.4	43,337	41,375	39,149	34,768	32,437
			-35	-37.2	37,405	35,594	33,533	29,454	27,128
			-40	-40	31,767	29,882	27,942	24,079	22,067
VAF-L015-ACS	15	S15-56Y	0	-17.7	99,277	95,060	90,824	82,237	77,896
			-5	-20.5	89,150	85,331	81,481	73,659	69,772
			-10	-23.3	79,714	76,249	72,758	65,634	62,060
			-15	-26.1	70,091	66,953	63,777	57,290	53,963
			-20	-28.8	61,610	58,762	55,880	49,960	46,957
			-25	-31.6	54,055	51,463	48,825	43,400	37,841
			-30	-34.4	46,959	44,578	42,159	37,151	34,577
			-35	-37.2	40,257	38,056	35,806	31,138	28,701
			-40	-40	33,889	31,821	29,707	25,301	22,988
VAF-L020-ACS	20	V20-84Y	0	-17.7	138,488	131,568	124,634	110,676	103,645
			-5	-20.5	124,191	118,063	111,878	99,423	93,371
			-10	-23.3	110,698	105,265	99,784	88,763	83,381
			-15	-26.1	96,835	92,066	87,259	77,593	72,875
			-20	-28.8	84,539	80,368	76,179	67,775	63,676
			-25	-31.6	73,578	69,965	66,339	59,099	55,569
			-30	-34.4	63,395	60,284	57,172	50,999	48,007
			-35	-37.2	53,997	51,329	48,675	43,457	40,954
			-40	-40	45,370	43,092	40,837	36,469	34,406
VAF-L022-ACS	22	V25-93Y	0	-17.7	147,655	140,189	132,825	118,410	111,379
			-5	-20.5	131,978	125,137	118,409	105,264	99,089
			-10	-23.3	117,151	110,929	104,815	92,855	87,024
			-15	-26.1	102,023	96,391	90,849	80,032	74,745
			-20	-28.8	88,585	83,494	78,479	68,731	63,983
			-25	-31.6	76,593	71,982	67,466	58,676	54,417
			-30	-34.4	65,430	61,272	57,196	49,289	45,544
			-35	-37.2	55,095	51,338	47,661	40,545	29,246
			-40	-40	45,576	42,168	38,831	32,403	29,307
VAF-L027-ACS	27	Z25-106Y	0	-17.7	184,756	175,930	167,147	149,699	141,066
			-5	-20.5	164,278	156,339	148,428	132,751	124,998
			-10	-23.3	145,099	137,978	130,904	116,916	110,012
			-15	-26.1	125,741	119,419	113,136	100,740	94,727
			-20	-28.8	108,697	103,098	97,546	86,629	82,173
			-25	-31.6	93,629	88,691	83,817	74,257	69,631
			-30	-34.4	78,866	75,453	71,185	62,873	58,840
			-35	-37.2	67,138	63,351	59,636	52,447	48,994
			-40	-40	55,680	52,371	49,137	42,951	40,020
VAF-L030-ACS	30	Z30-126Y	0	-17.7	215,790	205,309	194,893	174,189	164,014
			-5	-20.5	192,145	182,708	173,335	154,756	145,731
			-10	-23.3	169,983	161,561	153,184	136,581	128,498
			-15	-26.1	145,709	140,146	132,705	117,977	110,814
			-20	-28.8	127,962	121,332	114,750	101,759	95,419
			-25	-31.6	110,570	104,715	98,923	87,496	81,934
			-30	-34.4	94,583	89,447	84,354	74,348	69,458
			-35	-37.2	79,980	75,459	70,996	62,268	58,034
			-40	-40	66,719	62,741	58,824	51,198	47,493
VAF-L040-ACS	40	Z40-154Y	0	-17.7	271,571	260,135	248,366	225,124	167,592
			-5	-20.5	244,485	233,961	223,400	202,160	148,325
			-10	-23.3	219,209	209,663	200,054	180,632	130,444
			-15	-26.1	193,330	184,670	175,902	158,096	112,305
			-20	-28.8	171,472	162,579	154,562	138,161	43,479
			-25	-31.6	150,055	142,804	135,416	120,185	
			-30	-34.4	130,741	124,020	117,139	102,864	
			-35	-37.2	112,359	106,043	99,558	85,989	
			-40	-40	93,515	88,679	82,449		

Low Temperature | Vertical Discharge – Hi Ambient
Frascold Compressor | Refrigerant R404A /R507A

UNIT MODEL	HP	COMPRESSOR	Suction Temperature		Ambient Temperature				
			F°	C°	90°F / 32°C	95°F / 35°C	100°F / 38°C	110°F / 43°C	115°F / 46°C
			VAF-L010-ACS-H	10	S10-52Y	0	-17.7	92,563	88,770
			-5	-20.5	83,056	79,632	76,185	69,225	65,706
			-10	-23.3	74,261	71,159	68,043	61,714	58,508
			-15	-26.1	65,340	62,545	59,718	53,958	51,028
			-20	-28.8	57,522	55,321	52,418	47,170	44,487
			-25	-31.6	50,585	48,283	45,942	41,140	38,665
			-30	-34.4	44,091	41,984	39,838	34,768	33,106
			-35	-37.2	38,327	36,301	34,043	29,904	27,748
			-40	-40	32,177	30,352	28,480	24,567	22,514
VAF-L015-ACS-H	15	S15-56Y	0	-17.7	102,226	97,968	93,686	85,003	80,592
			-5	-20.5	91,581	87,727	83,836	75,949	71,933
			-10	-23.3	81,706	78,218	74,691	67,513	63,847
			-15	-26.1	71,703	68,544	65,351	58,823	55,515
			-20	-28.8	62,917	60,050	57,147	51,204	48,146
			-25	-31.6	55,111	52,508	49,862	44,434	41,618
			-30	-34.4	47,816	45,425	42,993	37,971	35,377
			-35	-37.2	40,953	38,743	36,485	31,802	29,373
			-40	-40	34,455	32,378	30,256	25,834	23,517
VAF-L020-ACS-H	20	V20-84Y	0	-17.7	147,037	140,023	132,915	118,496	111,178
			-5	-20.5	131,137	124,885	118,563	105,750	99,368
			-10	-23.3	116,227	110,710	105,123	93,804	88,111
			-15	-26.1	101,168	96,325	91,426	81,523	76,600
			-20	-28.8	87,892	83,673	79,403	70,803	66,546
			-25	-31.6	76,160	72,497	68,807	61,403	57,751
			-30	-34.4	65,358	62,201	59,032	52,714	49,610
			-35	-37.2	55,470	52,760	50,055	44,715	42,131
			-40	-40	46,462	44,146	41,485	37,368	35,239
VAF-L022-ACS-H	22	V25-93Y	0	-17.7	157,983	150,064	142,248	126,964	119,560
			-5	-20.5	140,485	133,284	126,182	112,282	105,495
			-10	-23.3	124,124	117,581	111,134	98,546	92,401
			-15	-26.1	107,628	101,711	95,900	84,556	79,032
			-20	-28.8	93,065	87,734	82,504	72,302	67,348
			-25	-31.6	80,151	75,347	70,631	61,481	57,089
			-30	-34.4	68,235	63,906	59,672	51,458	47,517
			-35	-37.2	57,283	53,384	48,568	42,200	38,636
			-40	-40	47,264	43,739	40,294	33,646	30,472
VAF-L027-ACS-H	27	Z25-106Y	0	-17.7	189,881	180,895	171,964	154,183	144,653
			-5	-20.5	166,809	160,366	150,466	136,377	128,640
			-10	-23.3	148,433	141,208	134,028	119,814	112,864
			-15	-26.1	128,381	121,965	115,585	103,001	96,792
			-20	-28.8	110,762	105,090	99,461	88,374	83,589
			-25	-31.6	95,223	90,228	85,285	75,593	70,894
			-30	-34.4	81,014	76,631	72,310	63,887	58,798
			-35	-37.2	68,077	63,663	60,486	53,198	49,716
			-40	-40	56,381	53,036	49,765	43,504	40,533
VAF-L030-ACS-H	30	Z30-126Y	0	-17.7	220,011	209,401	198,833	177,858	167,433
			-5	-20.5	195,549	186,038	176,547	157,729	148,422
			-10	-23.3	172,739	164,232	155,751	138,970	130,690
			-15	-26.1	149,813	142,251	134,734	119,849	111,120
			-20	-28.8	129,672	122,975	117,057	103,209	96,812

Vertical Discharge | Frascold Compressor | Refrigerant R404A | R507A

	Unit Model	HP	Compressor		Fans		
			RLA	LRA	Qty.	FLA	
Medium Temperature	220-240/3/60						
	VAF-M008-ABS	8	S7-33Y	35.2	105.0	1	8.4
	VAF-M012-ABS	12	S12-42Y	50.7	113.0	1	8.4
	VAF-M015-ABS	15	S15-52Y	76.3	140.0	2	16.8
	VAF-M020-ABS	20	S20-56Y	80.6	179.0	2	16.8
	VAF-M022-ABS	22	V20-59Y	76.9	224.0	2	16.8
	VAF-M025-ABS	25	V25-71Y	84.8	249.0	2	16.8
	VAF-M030-ABS	30	V30-84Y	110	282.0	2	16.8
	VAF-M035-ABS	35	Z35-106Y	120	309.0	3	25.2
	VAF-M040-ABS	40	Z40-126Y	155	317.0	3	25.2
	VAF-M050-ABS	50	Z50-154Y	192	367.0	4	33.6
	440-460/3/60						
	VAF-M008-ACS	8	S7-33Y	20.4	47.0	1	4.6
	VAF-M012-ACS	12	S12-42Y	22.4	59.1	1	4.6
	VAF-M015-ACS	15	S15-52Y	32.4	74.8	2	9.2
	VAF-M020-ACS	20	S20-56Y	38.4	87.5	2	9.2
	VAF-M022-ACS	22	V20-59Y	35.3	106.6	2	9.2
	VAF-M025-ACS	25	V25-71Y	43.5	121.9	2	9.2
	VAF-M030-ACS	30	V30-84Y	49.2	135.2	2	9.2
	VAF-M035-ACS	35	Z35-106Y	60.2	146.0	3	13.8
VAF-M040-ACS	40	Z40-126Y	71.9	162.7	3	13.8	
VAF-M050-ACS	50	Z50-154Y	90.4	188.6	4	18.4	
Medium Temperature	220-240/3/60						
	VAF-M008-ABS-H	8	S7-33Y	35.2	105.0	1	8.4
	VAF-M012-ABS-H	12	S12-42Y	50.7	113.0	2	16.8
	VAF-M015-ABS-H	15	S15-52Y	76.3	140.0	2	16.8
	VAF-M020-ABS-H	20	S20-56Y	80.6	179.0	2	16.8
	VAF-M022-ABS-H	22	V20-59Y	76.9	224.0	2	16.8
	VAF-M025-ABS-H	25	V25-71Y	84.8	249.0	2	16.8
	VAF-M030-ABS-H	30	V30-84Y	110	282.0	3	25.2
	VAF-M035-ABS-H	35	Z35-106Y	120	309.0	3	25.2
	VAF-M040-ABS-H	40	Z40-126Y	155	317.0	4	33.6
	VAF-M050-ABS-H	50	Z50-154Y	192	367.0	6	50.4
	220-240/3/60						
	VAF-M008-ACS-H	8	S7-33Y	20.4	47.0	1	4.6
	VAF-M012-ACS-H	12	S12-42Y	22.4	59.1	2	9.2
	VAF-M015-ACS-H	15	S15-52Y	32.4	74.8	2	9.2
	VAF-M020-ACS-H	20	S20-56Y	38.4	87.5	2	9.2
VAF-M022-ACS-H	22	V20-59Y	35.3	106.6	2	9.2	
VAF-M025-ACS-H	25	V25-71Y	43.5	121.9	2	9.2	
VAF-M030-ACS-H	30	V30-84Y	49.2	135.2	3	13.8	
VAF-M035-ACS-H	35	Z35-106Y	60.2	146.0	3	13.8	
VAF-M040-ACS-H	40	Z40-126Y	71.9	162.7	4	18.4	
VAF-M050-ACS-H	50	Z50-154Y	90.4	188.6	6	27.6	

Vertical Discharge | Frascold Compressor | Refrigerant R404A | R507A

	Unit Model	HP	Compressor		Fans		
			RLA	LRA	Qty.	FLA	
Low Temperature	220-240/3/60						
	VAF-L010-ABS	10	S10-52Y	50.7	113.0	1	8.4
	VAF-L015-ABS	15	S15-56Y	71.4	140.0	1	8.4
	VAF-L020-ABS	20	V20-84Y	76.9	224.0	1	8.4
	VAF-L022-ABS	22	V25-93Y	96.6	249.0	1	8.4
	VAF-L027-ABS	27	Z25-106Y	93.5	252.0	2	16.8
	VAF-L030-ABS	30	Z30-126Y	110	282.0	2	16.8
	VAF-L040-ABS	40	Z40-154Y	155	317.0	3	25.2
	440-460/3/60						
	VAF-L010-ACS	10	S10-52Y	24.5	59.1	1	8.4
	VAF-L015-ACS	15	S15-56Y	30.7	74.8	1	8.4
	VAF-L020-ACS	20	V20-84Y	42.6	106.6	1	8.4
	VAF-L022-ACS	22	V25-93Y	53.1	146.0	1	8.4
	VAF-L027-ACS	27	Z25-106Y	53.6	118.3	2	16.8
	VAF-L030-ACS	30	Z30-126Y	55.7	135.2	2	16.8
	VAF-L040-ACS	40	Z40-154Y	77.9	159.2	3	25.2
Low Temperature Hi Ambient	220-240/3/60						
	VAF-L010-ABS-H	10	S10-52Y	50.7	113.0	1	8.4
	VAF-L015-ABS-H	15	S15-56Y	71.4	140.0	1	8.4
	VAF-L020-ABS-H	20	V20-84Y	76.9	224.0	2	16.8
	VAF-L022-ABS-H	22	V25-93Y	96.6	249.0	2	16.8
	VAF-L027-ABS-H	27	Z25-106Y	93.5	252.0	2	16.8
	VAF-L030-ABS-H	30	Z30-126Y	110	282.0	3	25.2
	VAF-L040-ABS-H	40	Z40-154Y	155	317.0	3	25.2
	440-460/3/60						
	VAF-L010-ACS-H	10	S10-52Y	24.5	59.1	1	8.4
	VAF-L015-ACS-H	15	S15-56Y	30.7	74.8	1	8.4
	VAF-L020-ACS-H	20	V20-84Y	42.6	106.6	2	16.8
	VAF-L022-ACS-H	22	V25-93Y	53.1	146.0	2	16.8
	VAF-L027-ACS-H	27	Z25-106Y	53.6	118.3	2	16.8
	VAF-L030-ACS-H	30	Z30-126Y	55.7	135.2	3	25.2
	VAF-L040-ACS-H	40	Z40-154Y	77.9	159.2	3	25.2



Medium Temperature | Vertical Discharge
Fracold Compressor

Model	Dimensiones LxWxH (mm)	Dimensions LxWxH (pulgadas)	Peso (Kg)	Weigth (lbs)	Drawing
VAF-M008-ACS	2286x1346X1437	90X53X57	540	1,191	1F
VAF-M012-ACS	2286x1346X1437	90X53X57	540	1,191	1F
VAF-M015-ACS	3302X1346X1437	130X53X57	810	1,786	2F
VAF-M020-ACS	3302X1346X1437	130X53X57	810	1,786	2F
VAF-M022-ACS	3302X1346X1437	130X53X57	920	2,029	2F
VAF-M025-ACS	3302X1346X1437	130X53X57	920	2,029	2F
VAF-M030-ACS	3302X1346X1437	130X53X57	920	2,029	2F
VAF-M035-ACS	5461X1346X1437	215X53X57	1,230	2,712	3F
VAF-M040-ACS	5461X1346X1437	215X53X57	1,230	2,712	3F
VAF-M050-ACS	4343X2286X1437	171X53X57	1,494	3,294	4F

Low Temperature | Vertical Discharge
Fracold Compressor

Model	Dimensiones LxWxH (mm)	Dimensions LxWxH (pulgadas)	Peso (Kg)	Weigth (lbs)	Drawing
VAF-L010-ACS	2286x1346X1437	90X53X57	540	1,191	1F
VAF-L015-ACS	2286x1346X1437	90X53X57	540	1,191	1F
VAF-L020-ACS	2286x1346X1437	90X53X57	556	1,226	1F
VAF-L022-ACS	2286x1346X1437	90X53X57	556	1,226	1F
VAF-L027-ACS	3302X1346X1437	130X53X57	1,024	2,258	2F
VAF-L030-ACS	3302X1346X1437	130X53X57	1,024	2,258	2F
VAF-L040-ACS	5461X1346X1437	215X53X57	1,229	2,710	3F

Medium Temperature | Vertical Discharge – Hi Ambient
Fracold Compressor

Model	Dimensiones LxWxH (mm)	Dimensions LxWxH (pulgadas)	Peso (Kg)	Weigth (lbs)	Drawing
VAF-M008-ACS-H	2286x1346X1437	90X53X57	540	1,191	1F
VAF-M012-ACS-H	3302X1346X1437	130X53X57	810	1,786	2F
VAF-M015-ACS-H	3302X1346X1437	130X53X57	810	1,786	2F
VAF-M020-ACS-H	3302X1346X1437	130X53X57	810	1,786	2F
VAF-M022-ACS-H	3302X1346X1437	130X53X57	920	209	2F
VAF-M025-ACS-H	3302X1346X1437	130X53X57	920	2,029	2F
VAF-M030-ACS-H	5461X1346X1437	215X53X57	1,230	2,712	3F
VAF-M035-ACS-H	5461X1346X1437	215X53X57	1,230	2,712	3F
VAF-M040-ACS-H	4343X2286X1437	171X53X57	1,494	3,294	4F
VAF-M050-ACS-H			1,863	4,107	6F

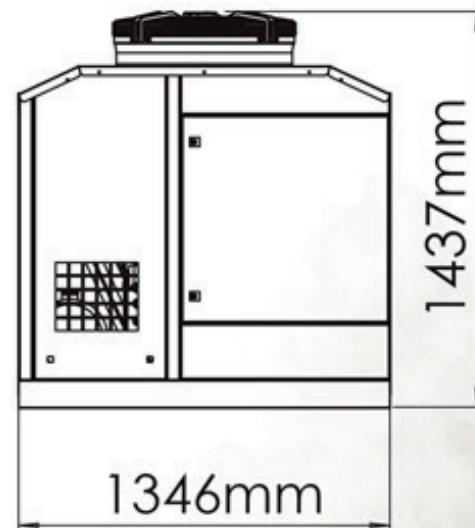
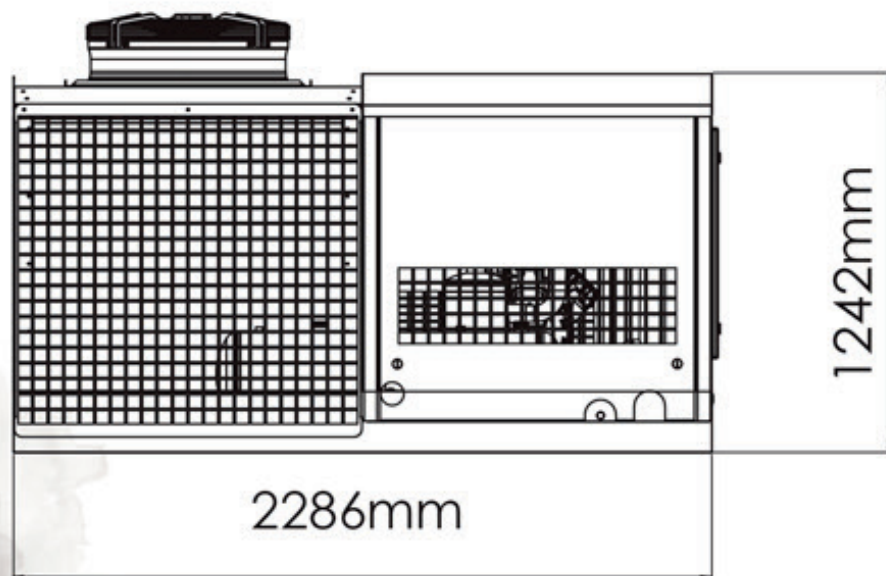
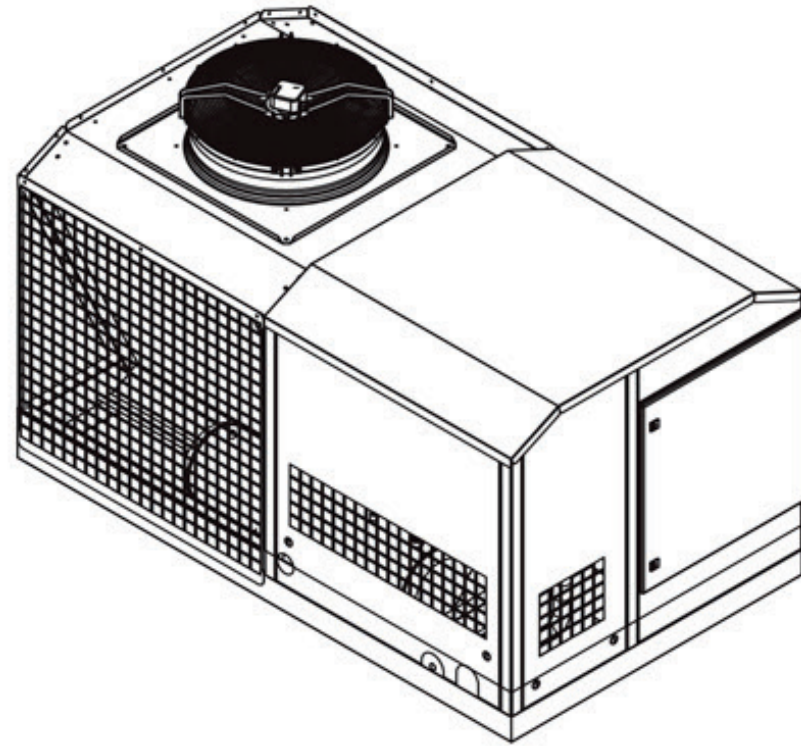
Low Temperature | Vertical Discharge- Hi Ambient
Fracold Compressor

Model	Dimensiones LAA (mm)	Dimensions LxWxH (pulgadas)	Peso (Kg)	Weigth (lbs)	Drawing
VAF-L010-ACS-H	2286x1346X1437	90X53X57	540	1,191	1F
VAF-L015-ACS-H	2286x1346X1437	90X53X57	540	1,191	1F
VAF-L020-ACS-H	3302X1346X1437	130X53X57	914	2,015	2F
VAF-L022-ACS-H	3302X1346X1437	130X53X57	914	2,015	2F
VAF-L027-ACS-H	3302X1346X1437	130X53X57	1,024	2,257	2F
VAF-L030-ACS-H	5461X1346X1437	215X53X57	1,229	2,710	3F
VAF-L040-ACS-H	5461X1346X1437	215X53X57	1,229	2,710	3F

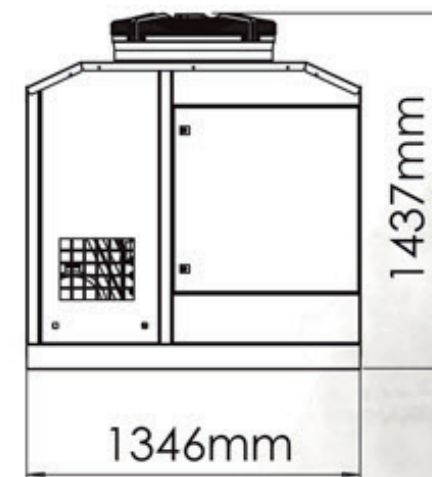
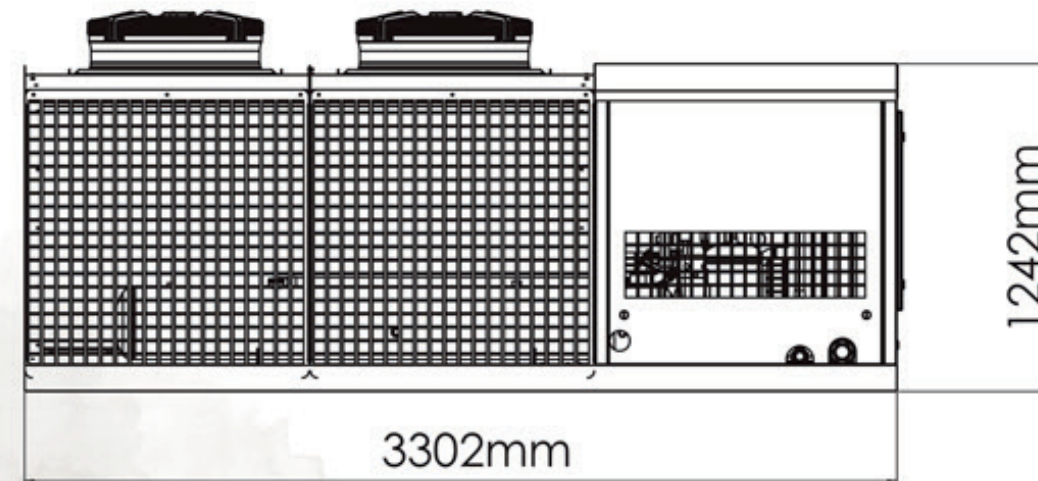
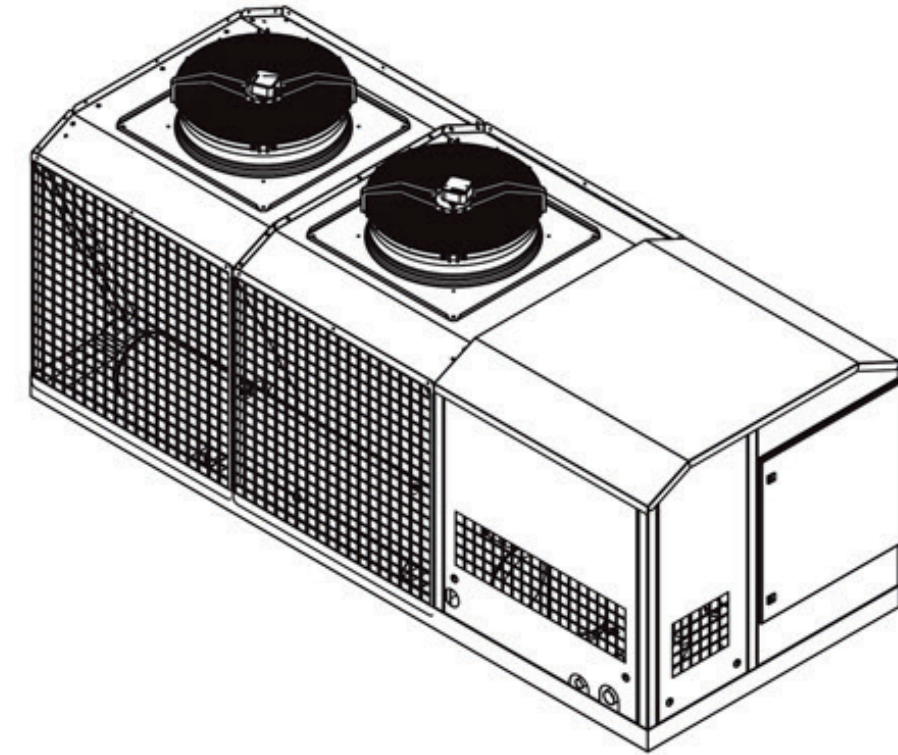
*Information in this document is subject to change without notice



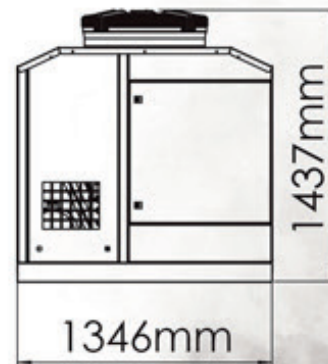
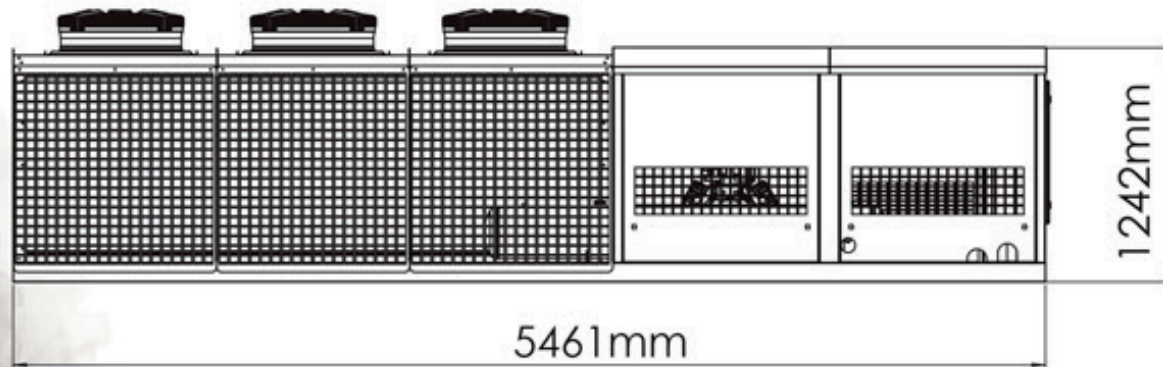
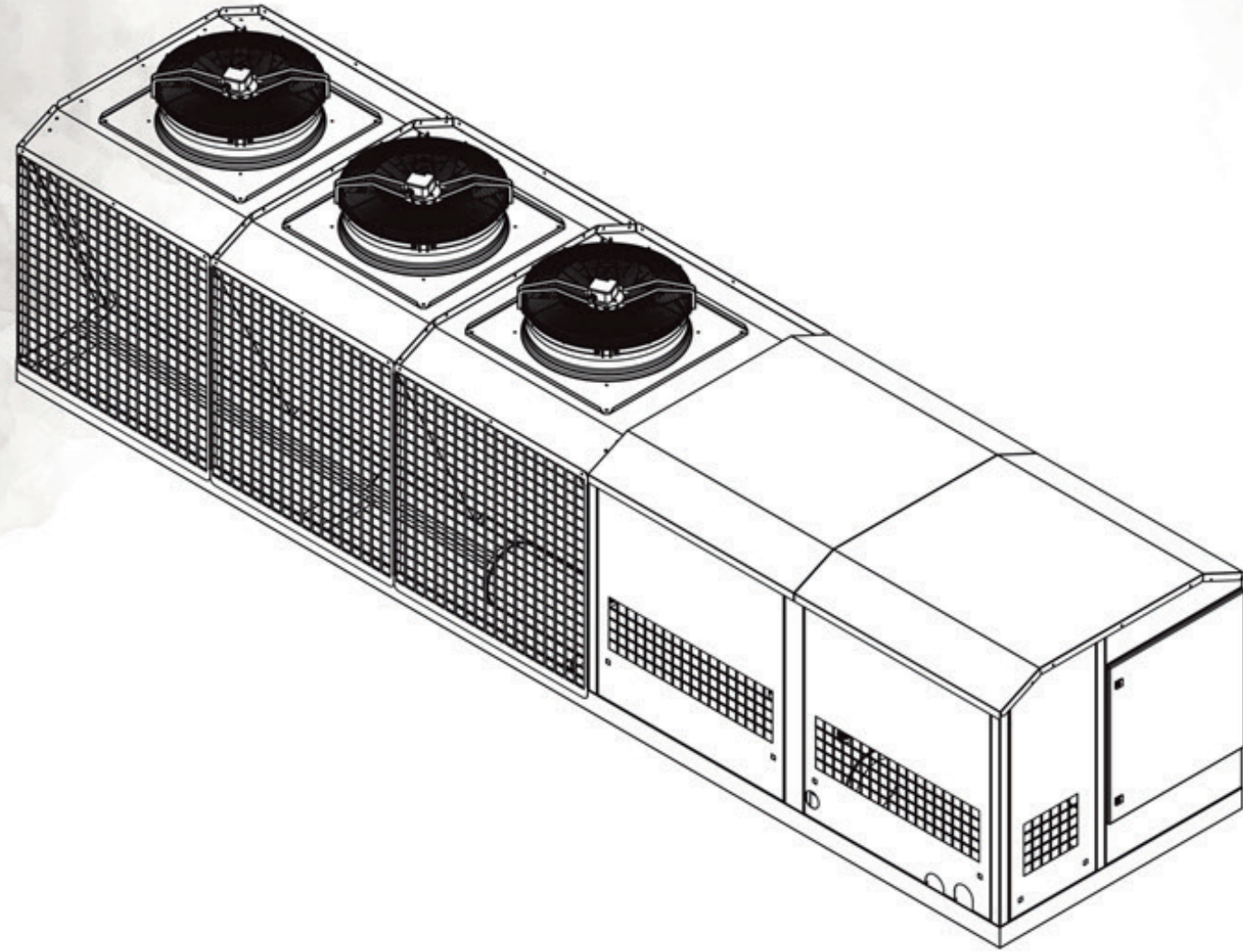
SEMI HERMETIC CONDENSING UNIT - 1 FAN
DRAWING 1F



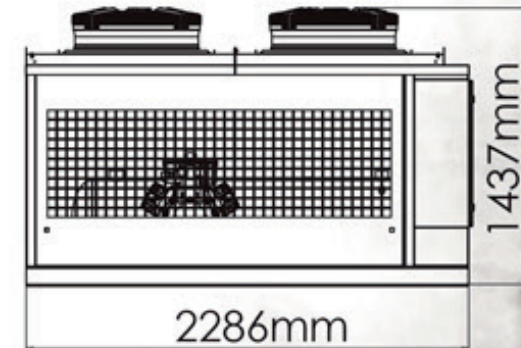
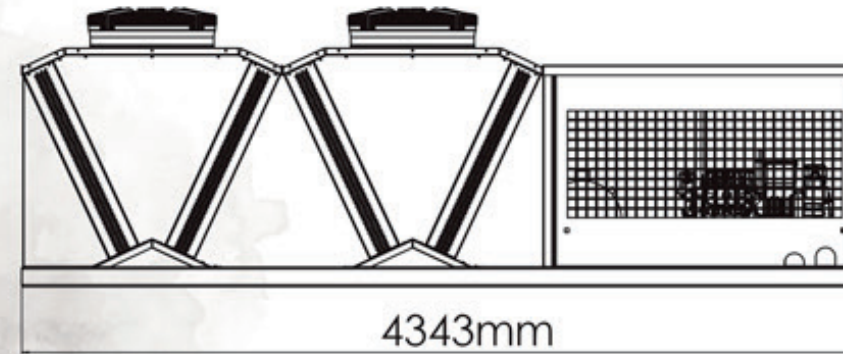
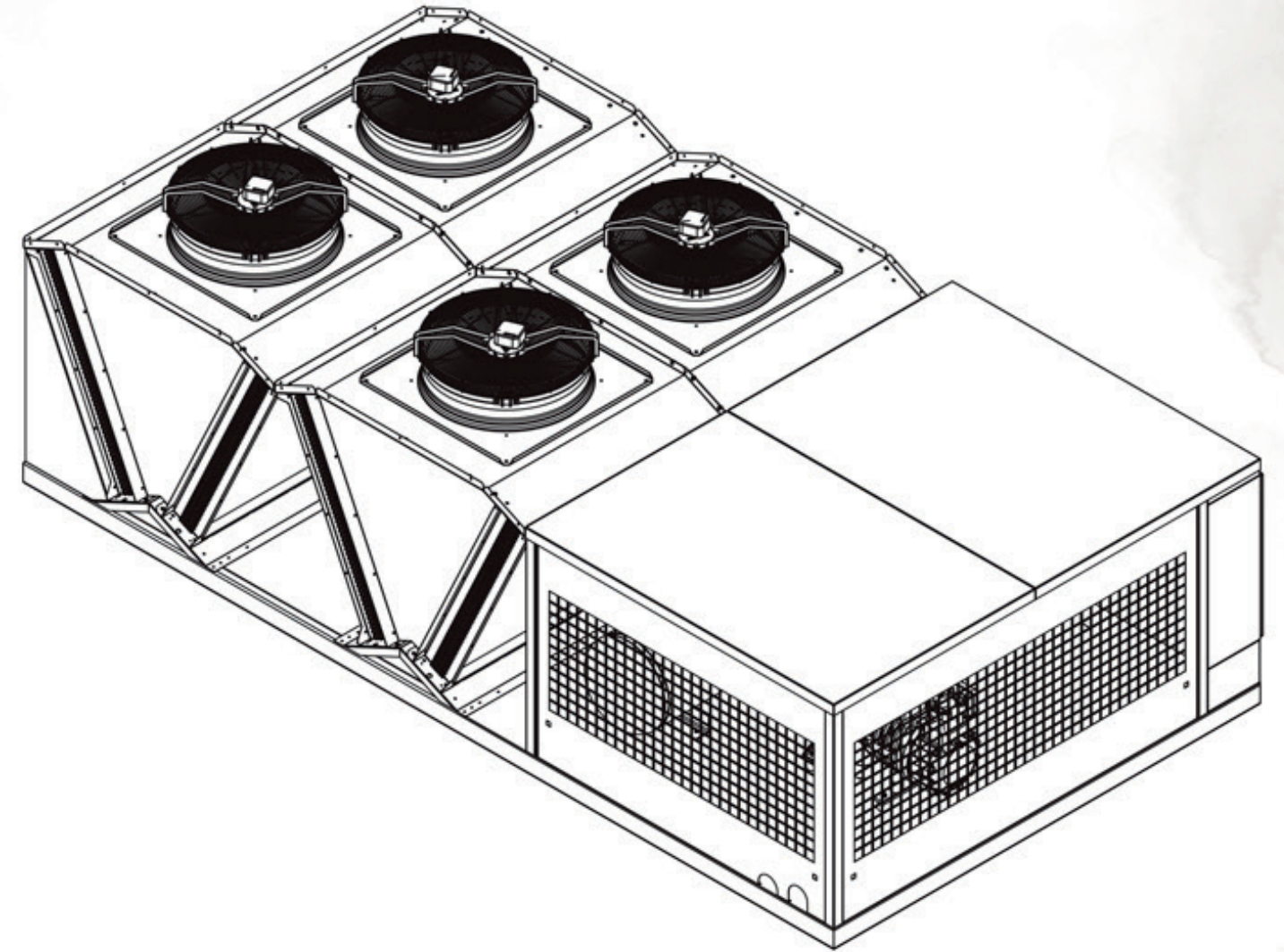
SEMI HERMETIC CONDENSING UNIT - 2 FANS
DRAWING 2F



SEMI HERMETIC CONDENSING UNIT - 3 FANS DRAWING 3F



SEMI HERMETIC CONDENSING UNIT - 4 FANS DRAWING 4F



Innovative Cooling and Equipment (ICE), is a vibrant North American enterprise that offers innovative solutions for the Commercial and Light Industrial Refrigeration Markets.

With sustainability at the core of its products, ICE offers its solutions without previous commitments. ICE sees the future with optimism becoming a game changer in all developed products.

With solid commercial alliances at a global level, an optimum supply chain, the highest quality in its manufacturing processes, a leading group of experts in the field and two factories in North America, ICE is your best choice for your Refrigeration Needs.

Come and see all we have in store for you at: www.icerfg.com



North Carolina, USA.



Santa Catarina, N.L., México